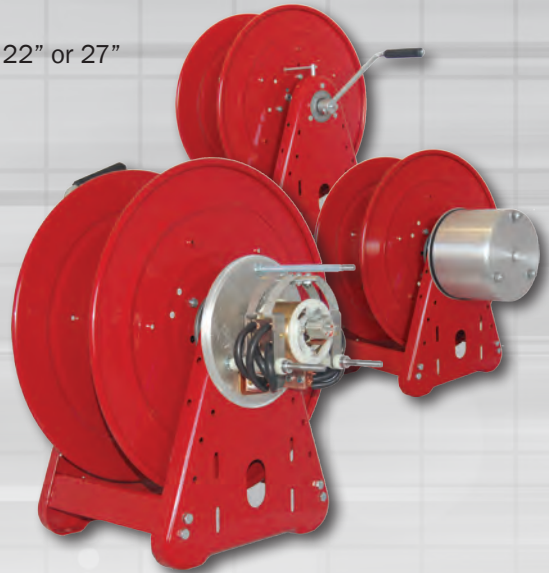


MANUAL REELS - Manual Rewind Side Crank Reels

The 30 Series manual reels feature **more options for greatest flexibility**. These reels allow for cable length that extend over 100'. Manual reels are ideal for those applications that require fewer extension and retraction cycles.

- Provided with standard side crank drive with optional front bevel crank available
- Rugged dual triangular support with shaft bearings
- Multiple spool width options: Choose from 6", 12", 18", 22" or 27"
- Larger diameter cable capability up to .875" O.D.
- Low profile for critical space requirements
- Lock pin to prevent free spooling
- Front bevel crank handle available



Part Number	Dimension A	Dimension B	Dimension C
R35H	31.50 (80.0)	27.00 (68.6)	30.75 (78.1)
R34H	26.50 (67.3)	22.00 (55.8)	25.75 (65.4)
R33H	22.50 (57.2)	18.00 (45.7)	21.75 (55.3)
R32H	16.50 (41.9)	12.00 (30.5)	15.75 (40.0)
R31H	10.50 (26.7)	6.00 (15.3)	9.75 (24.8)

