

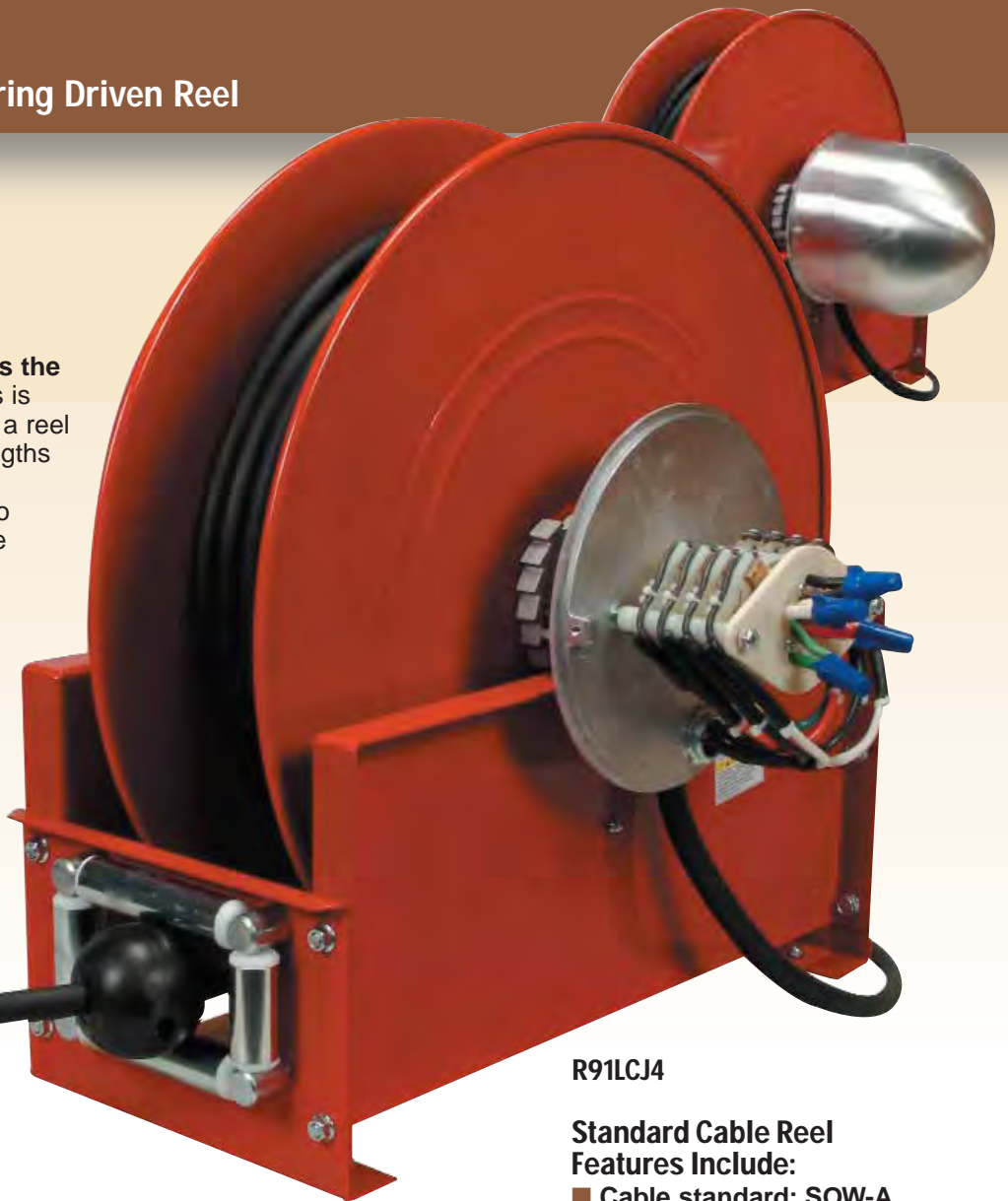
90 Series

Extra Large Capacity Spring Driven Reel

The Really Big Reel

Make no mistake – **this is the big one!** The 90 Series is perfect when you need a reel that can handle longer cable lengths with large diameter cable. With capabilities to handle cable up to 1.33" O.D., this reel can manage what most reels can't.

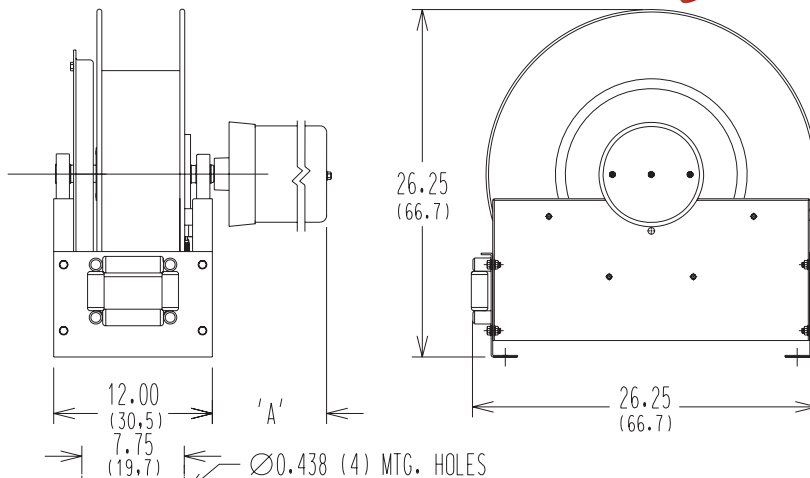
- Heavy structural dual support design for structural strength
- Multiple spring motor options with many torque options
- Available in stainless steel to help with corrosive environments
- High power circuit rating options allow for higher amperages



R91LCJ4

Standard Cable Reel Features Include:

- Cable standard: SOW-A
- 5' of stationary cable length included
- Adjustable cable bumpers allow varying cable length outside the reel
- Latch mechanism guarantees de-reeled cable will lock at desired length
- Constant tension reels available
- Varying guide arm positions allow floor, wall, ceiling or any custom mount
- Weather-proofed spring motor gasket ensures long life
- Nylon guide rollers eliminate cable pinching and reduce drag



'A' DIMENSION DEPENDENT UPON NUMBER AND CURRENT RATING OF CIRCUITS.

