

70 Series

Medium Capacity Spring Driven Reel

The Working Man's Reel

This medium-sized reel series has **built-in versatility to get the job done.** Compared to our smaller reel series, this reel can hold cable up to 75' and accepts cable/conductor diameters up to .875" O.D. This reel is extremely versatile, which makes the 70 Series one of United Equipment's most popular models.

- Designed to handle heavy-duty applications
- Narrow profile reel takes up less space
- Available in stainless steel to help with corrosive environments

Standard Cable Reel Features Include:

- Cable standard: SOW-A
- 5' of stationary cable length included
- Adjustable cable bumpers allow varying cable length outside the reel
- Latch mechanism guarantees de-reeled cable will lock at desired length
- Constant tension reels available

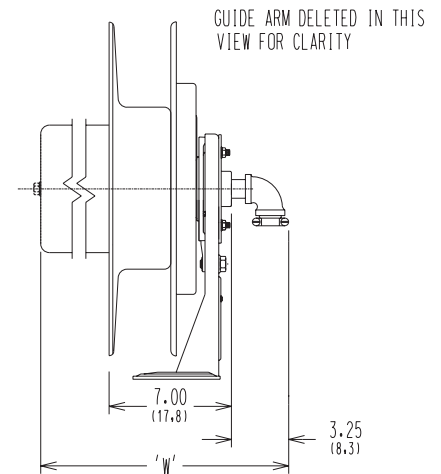
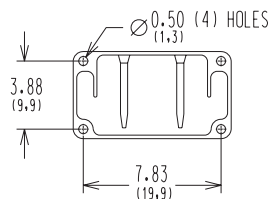
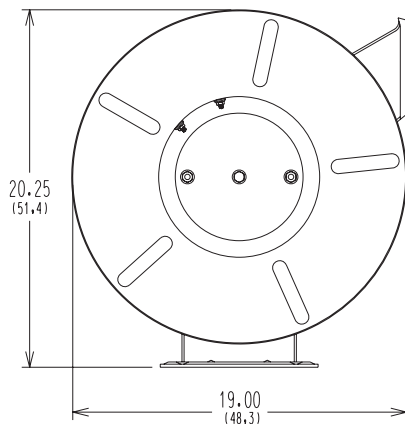


R78LAL4



www.uea-inc.com

1-800-394-9986



OVERALL WIDTH 'W' DEPENDENT UPON NUMBER AND CURRENT RATING OF CIRCUITS.