

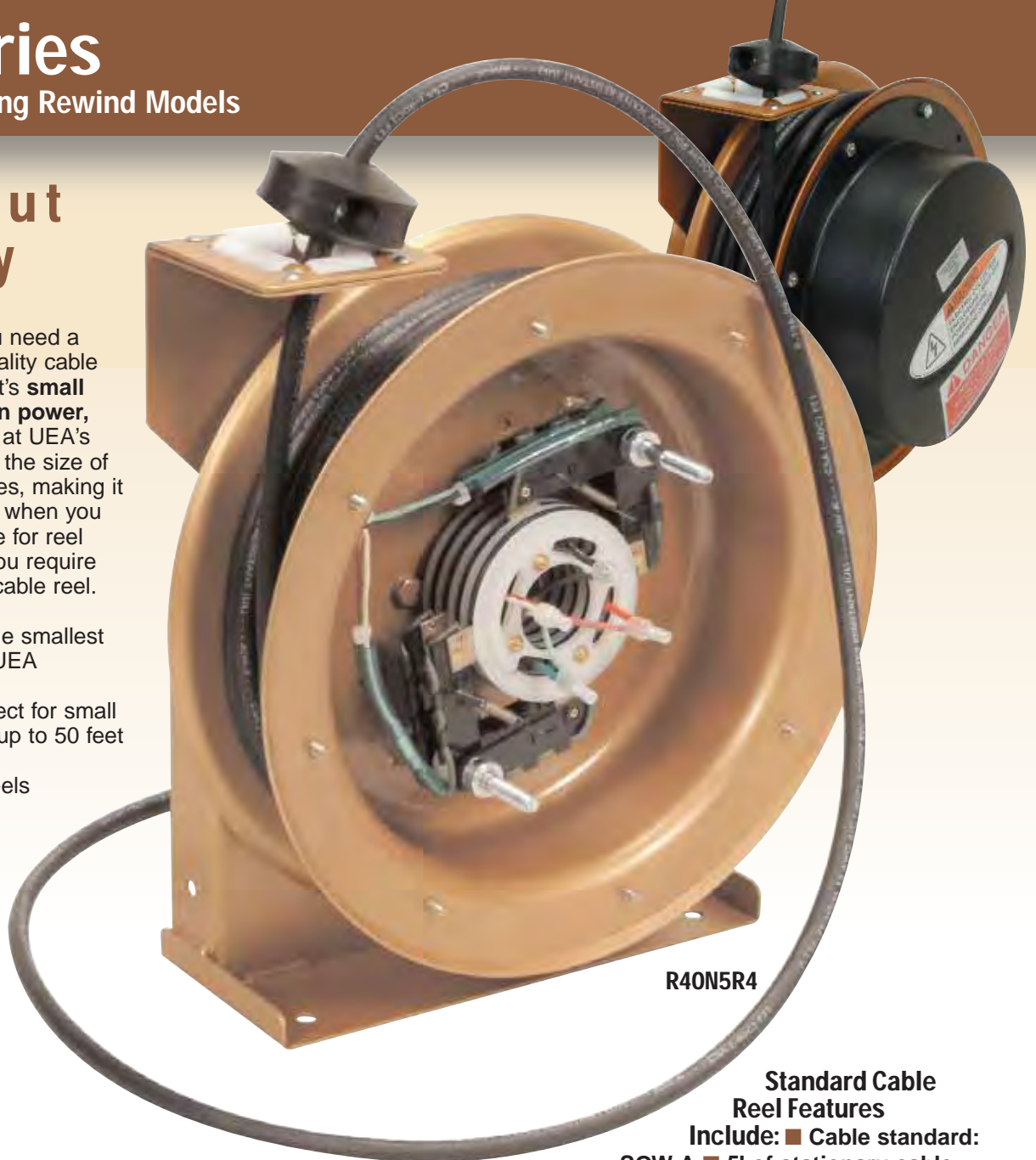
40 Series

Compact Spring Rewind Models

Mini But Mighty

When you need a high quality cable reel that's **small on size yet big on power**, take a closer look at UEA's 40 Series. It's half the size of our larger 90 Series, making it the perfect choice when you have limited space for reel mounting – or if you require a small diameter cable reel.

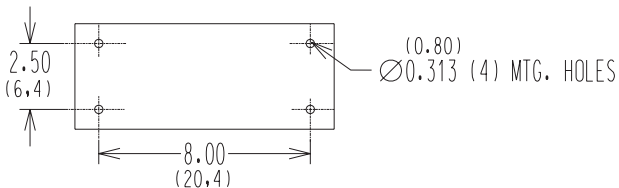
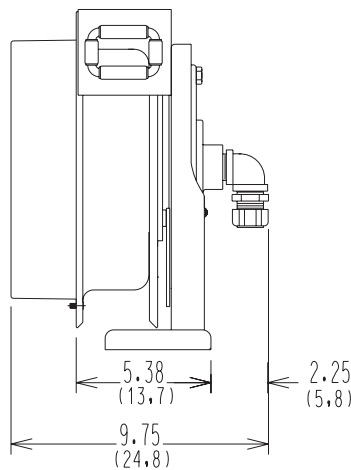
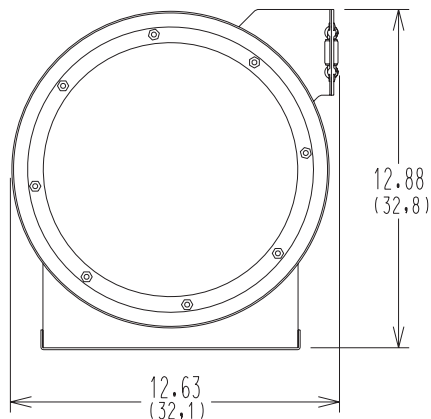
- 40 Series are the smallest reels made by UEA
- R40 reel is perfect for small diameter cable up to 50 feet
- R44 and R46 reels have shorter length, larger diameter cable



R40N5R4

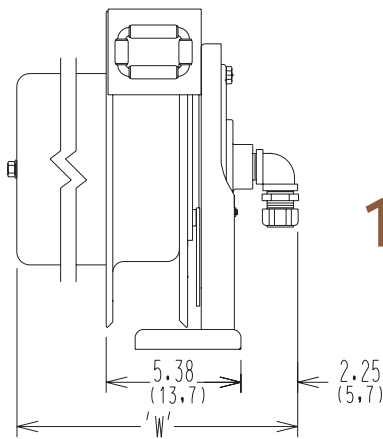
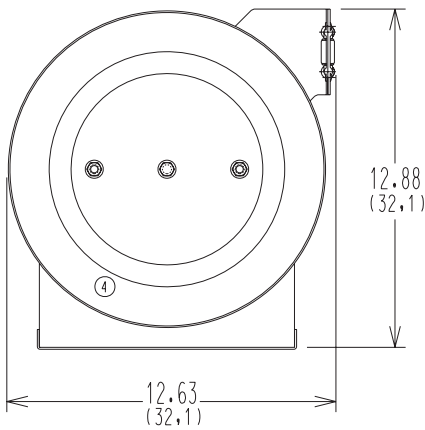
Standard Cable Reel Features

- Include: ■ Cable standard: SOW-A ■ 5' of stationary cable length included ■ Adjustable cable bumpers allow varying cable lengths outside the reel ■ Latch mechanism guarantees de-reeled cable will lock at desired length ■ Constant tension reels available ■ Varying guide arm positions allow floor, wall, ceiling or any custom mount ■ Weather-proofed spring motor gasket ensures long life ■ Nylon guide rollers eliminate cable pinching and reduce drag

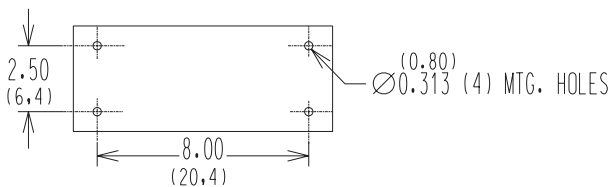




R46L6P4



OVERALL WIDTH 'W' DEPENDENT UPON NUMBER AND CURRENT RATING OF CIRCUITS.



www.uea-inc.com

1-800-394-9986



40 Series