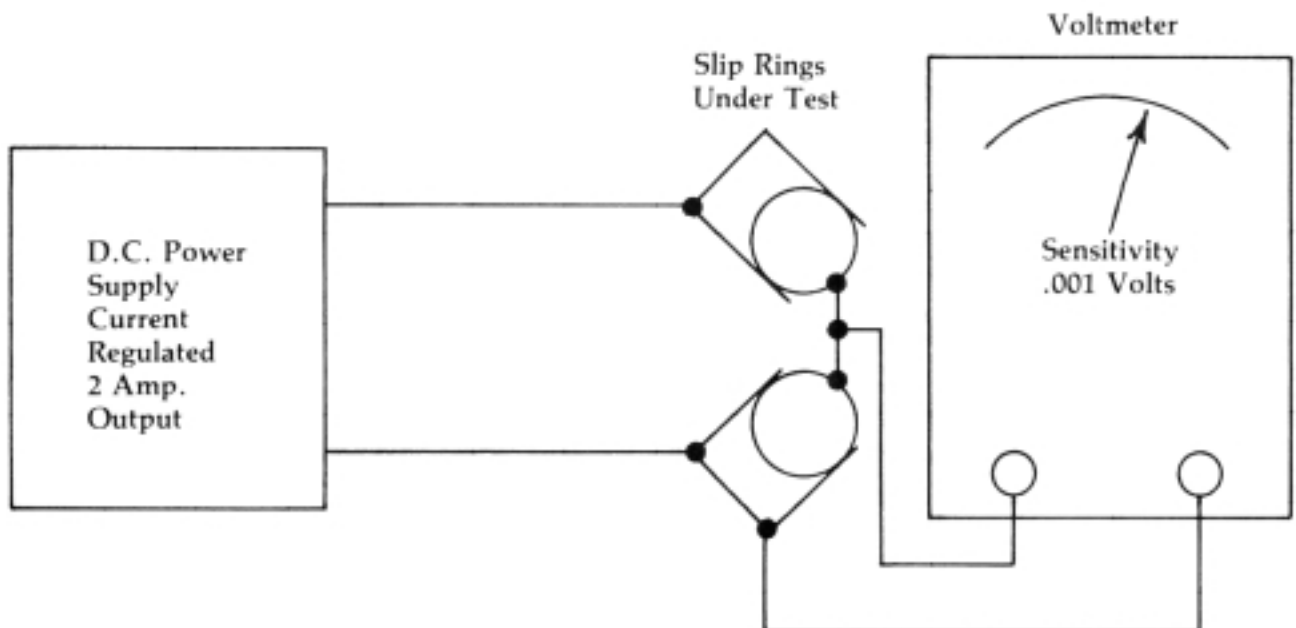
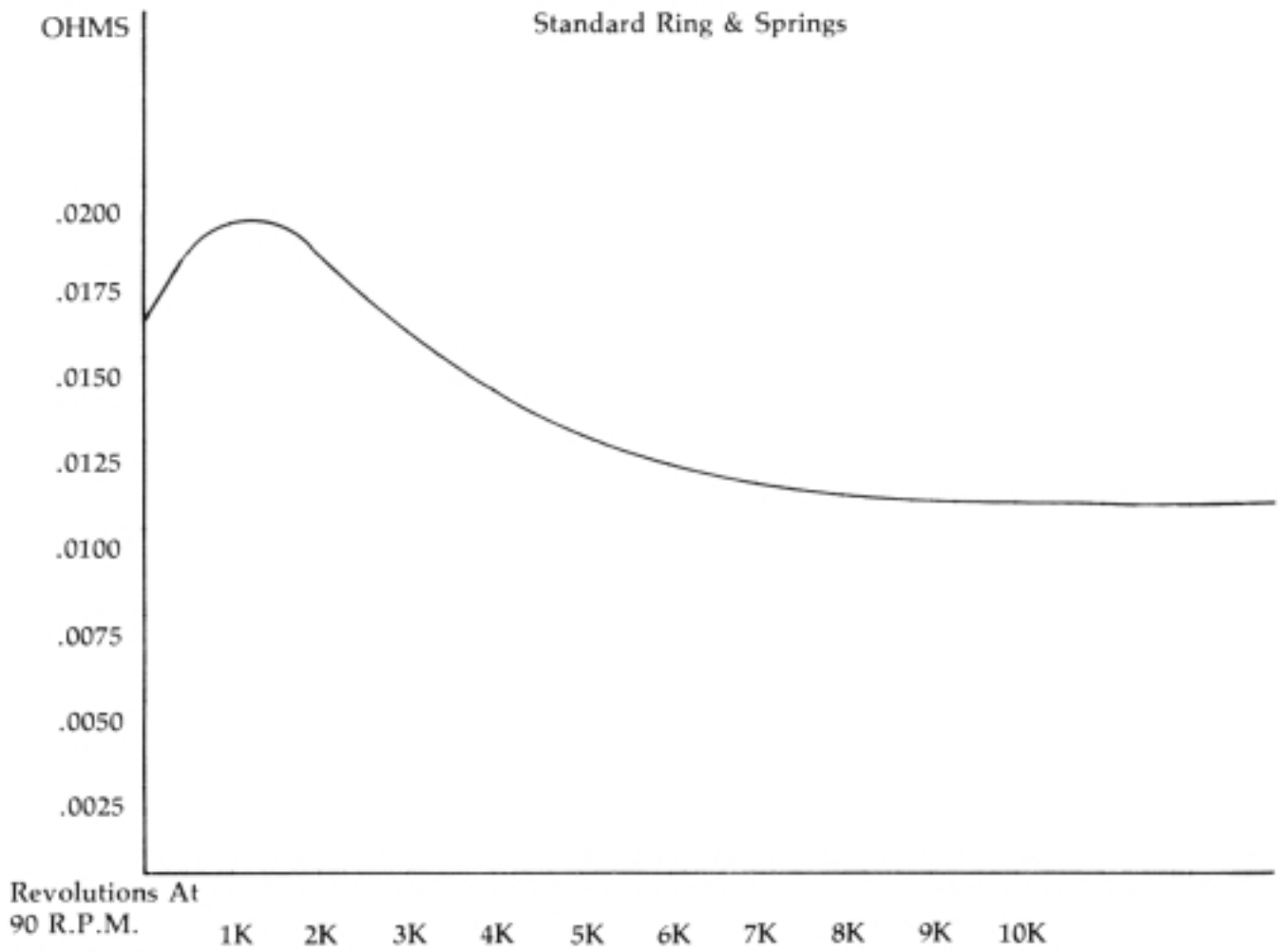
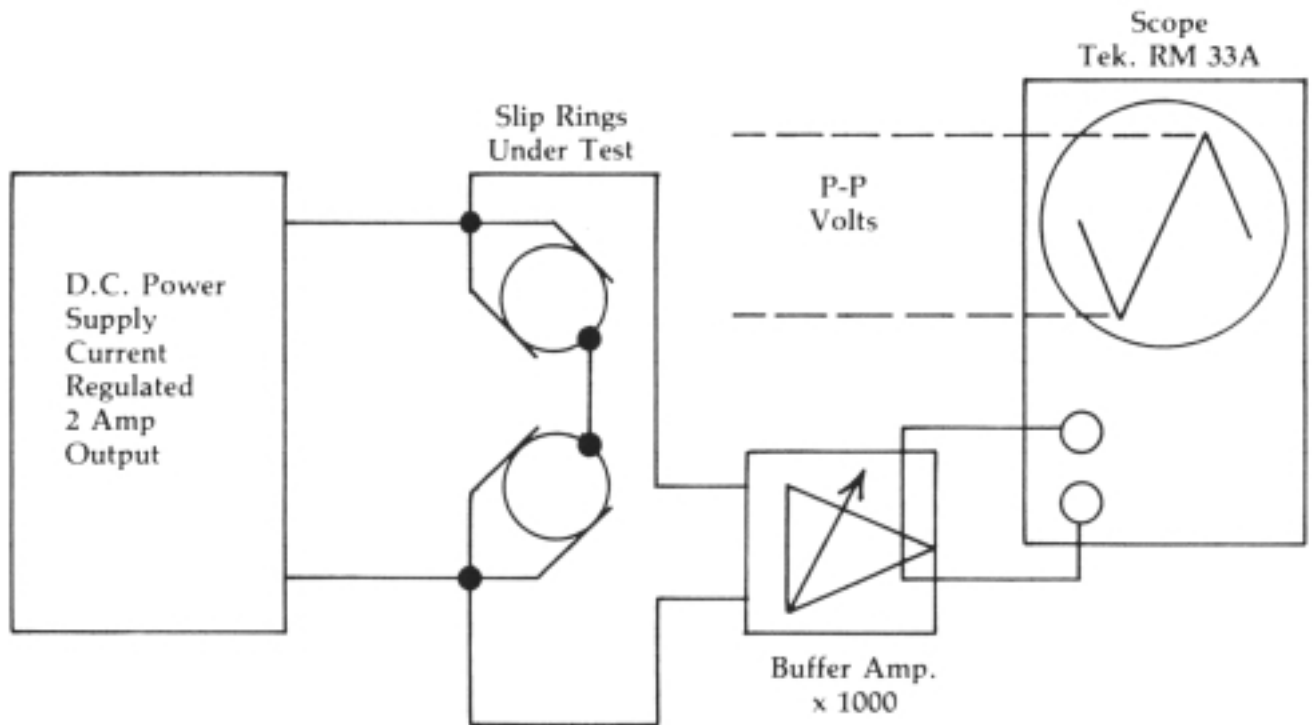
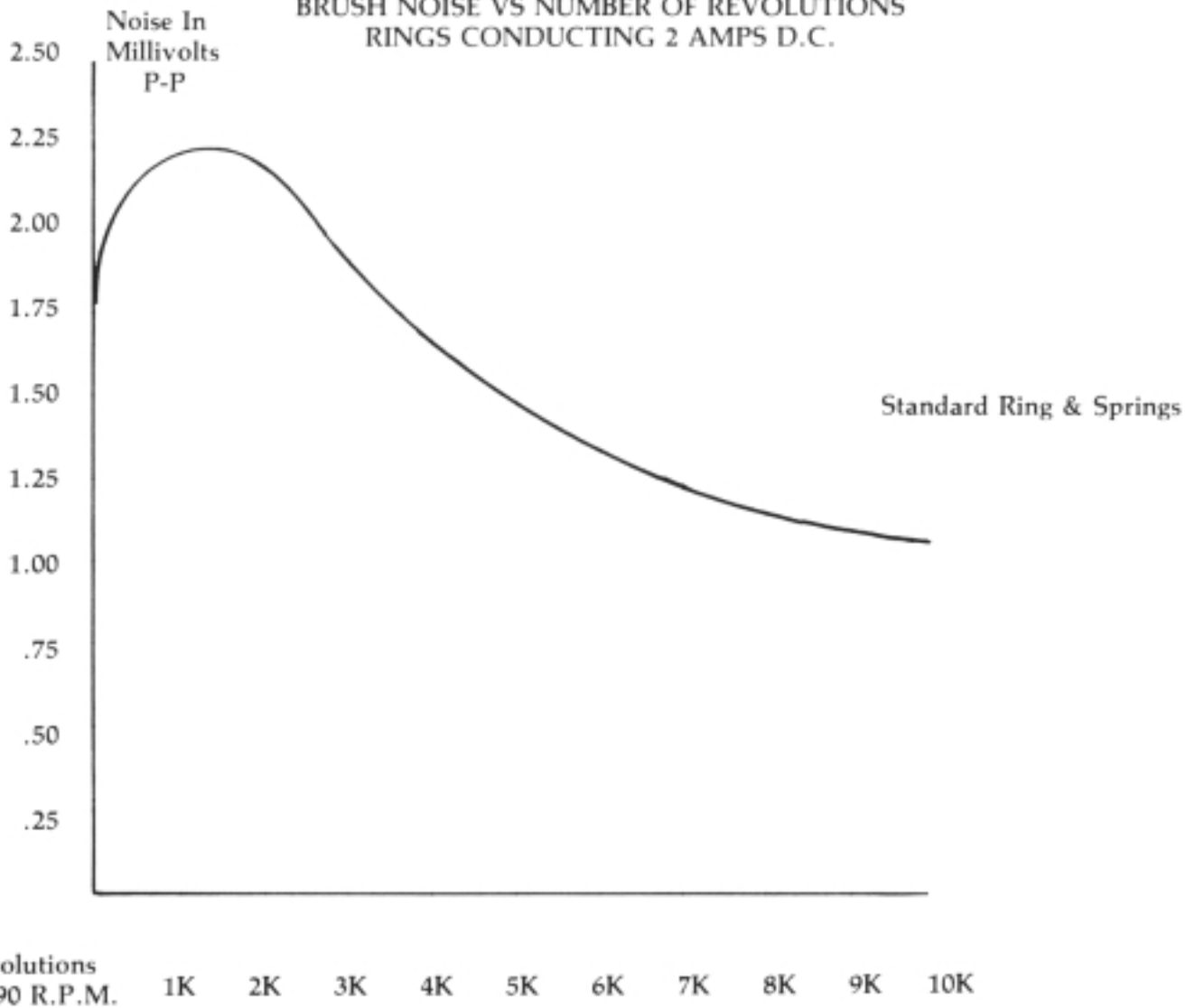


BRUSH TO RING CONTACT RESISTANCE  
RINGS CONDUCTING 2 AMPS D.C.



BRUSH NOISE VS NUMBER OF REVOLUTIONS  
RINGS CONDUCTING 2 AMPS D.C.



CROSS TALK MEASUREMENT  
 WITH 75 OHM COAXIAL LINES  
 COMMON GROUND AT RING

